

1

2

3

4

A

A

B

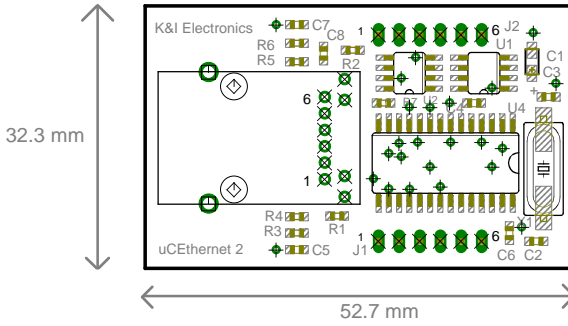
B

C

C

D

D



Sym	N°	Mils	MM	Qty	Plated
+	1	24	0.60	24	YES
X	2	36	0.91	22	YES
□	3	63	1.60	2	YES
◇	4	130	3.30	2	NOT

www.kandi-electronics.com

ucEthernet2

03/03/2009 13:56:59

Sheet: >SHEET

1

2

3

4